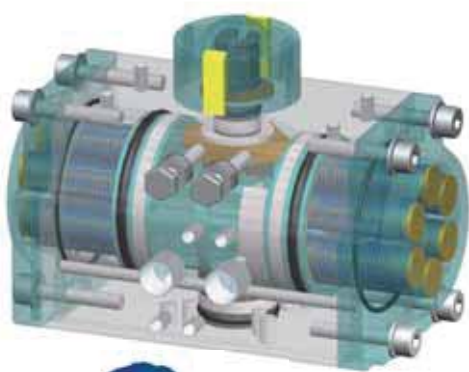


NUTORK®

Actuators & Valves



NK Series Rack & Pinion Type Material in Aluminum / 304SS / 316SS Pneumatic Actuator



Hard Anodized



Polyester Coated



Nickel Coated



Halar Coated



PTFE Coated



304SS / 316SS
body actuators



0-180° Actuator

NUTORK CORPORATION

1. Pressure Ranges

2 bar(29 psig) to 8 bar(116 psig) double acting
3 bar(44 psig) to 8 bar(116 psig) spring return

2. Temperature Ranges

*Std.(NBR O-rings): -20°C(-4°F) to +80°C(+176°F)

*Lower Temp. (HNBR O-rings):-40°C(-40°F) to +80°C(+176°F)

*High Temp. (Viton O-rings): -15°C(+5°F) to +150°C(+300°F)

Note: Special grease is required for low and high temperature service condition.

3. Wide Range Available

The actuator range consists of 14 sizes, with torques from 9Nm(80in.lbs) to 3,920Nm (34,660in.lbs) at 6 bar (87 psig) air supply.

4. Operating Media

Filtered dry or lubricated air for non-corrosive gas, water or light hydraulic oil. The maximum particle size must not exceed 30 microns.

5. Stroke Adjustment

0°and 90° with standard adjustment $\pm 5^\circ$.



6. Lubrication

All moving parts are factory lubricated for entire life cycle of actuator.

7. Construction

Twin piston rack and pinion actuator design, suitable for indoor and outdoor installation.

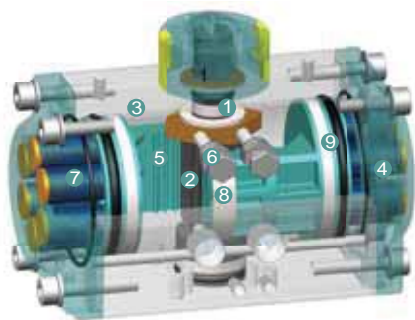
8. Connections

Bottom drilling complies with ISO 5211/DIN 3337 to match valve. Interface for solenoid valve, shaft top end and top drilling for assembling accessories are in accordance with VDI/VDE-3845, NAMUR standard.

9. Inspection

Every actuator is hydraulically tested, certified and guaranteed for a minimum of 1,000,000 cycles.

Pneumatic Actuator - Features



4. End Caps

Epoxy coated(over 80um) die cast aluminum end caps provide maximum resistance against potentially corrosive elements. Other treatments such as Nickel, Ceramic, PTFE, Polyester coated are available.

5. Pistons

The precisely-balanced and hard anodized treatment (over 30um)die cast aluminum pistons are fitted with high quality rings and guides. The twin rack and piston design creates a constant torque output on all actuators.

6. Travel Adjustment

The standard adjustment is $\pm 5^\circ$ in both the open and closed positions through easily accessible external adjustment bolts.

7. High Performance Springs

The high tensile steel springs are coated with Epoxy coated for corrosion resistance and longer service. The pre-loaded springs can be safely & rapidly disassembled.

8. Bearings & Guides

The highly durable compound material provides high trust stability with minimum friction and long life.

9. O-Rings

NBR O-rings provide trouble-free operation at standard temperature ranges. Viton and HNBR O-rings are available for high or low temperature applications.

1. Indicator

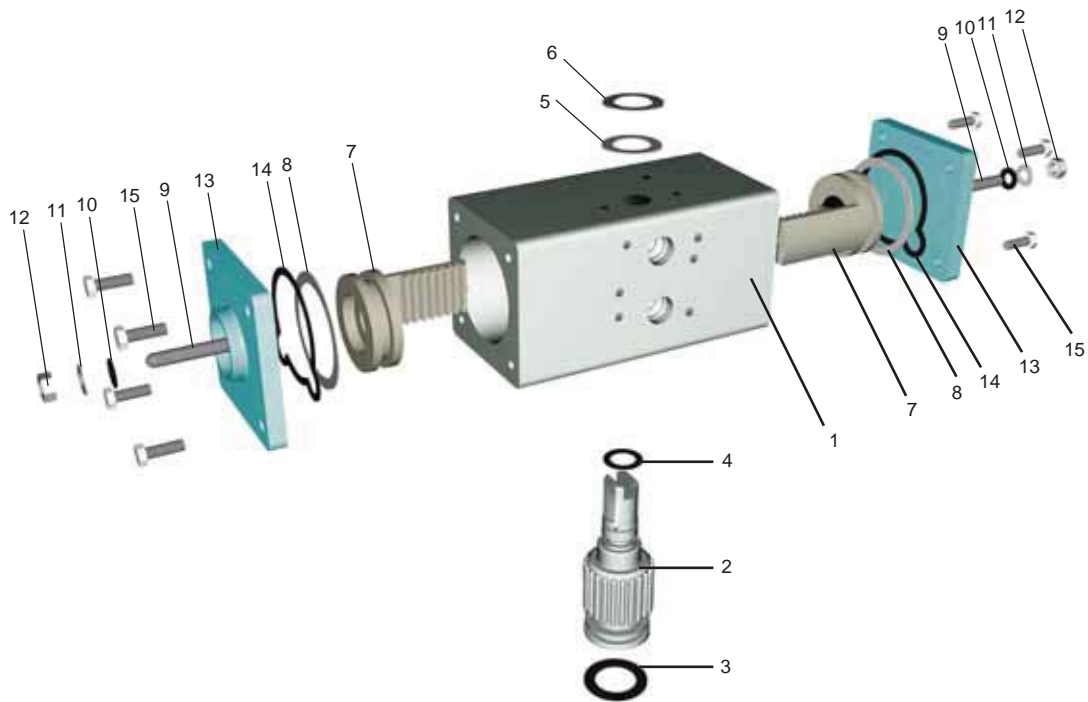
A position indicator with Namur mounting is standard on all NUTORK pneumatic actuators for mounting accessories.

2. Pinion

The hardened alloy steel pinion is precision ground and Nickel plated (over 15um) in order to reduce friction, provide maximum wear resistance. Full conformance with the newest standards of ISO5211 & DIN3337. The dimensions can be customized and as options, stainless steel and aluminium alloy are also available.

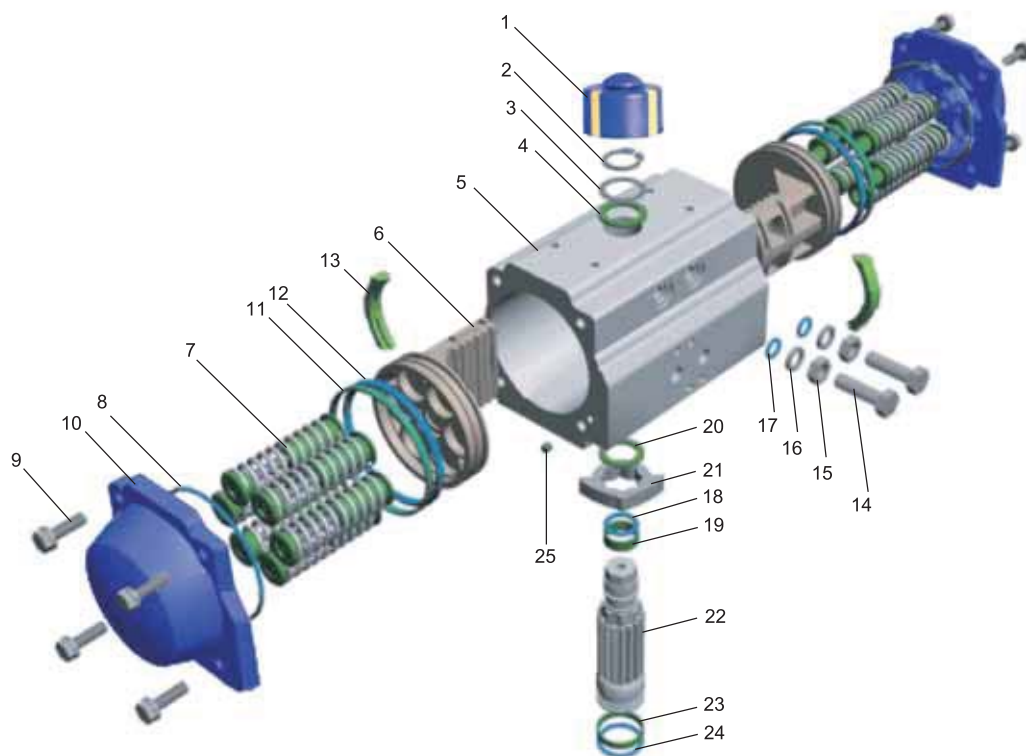
3. Actuator Body

The aluminum extrusion is hard anodized(over 30um) to protect against wear and corrosion while reducing piston friction to the absolute minimum. Other options such as Nickel, Ceramic, PTFE, Polyester coated are available.



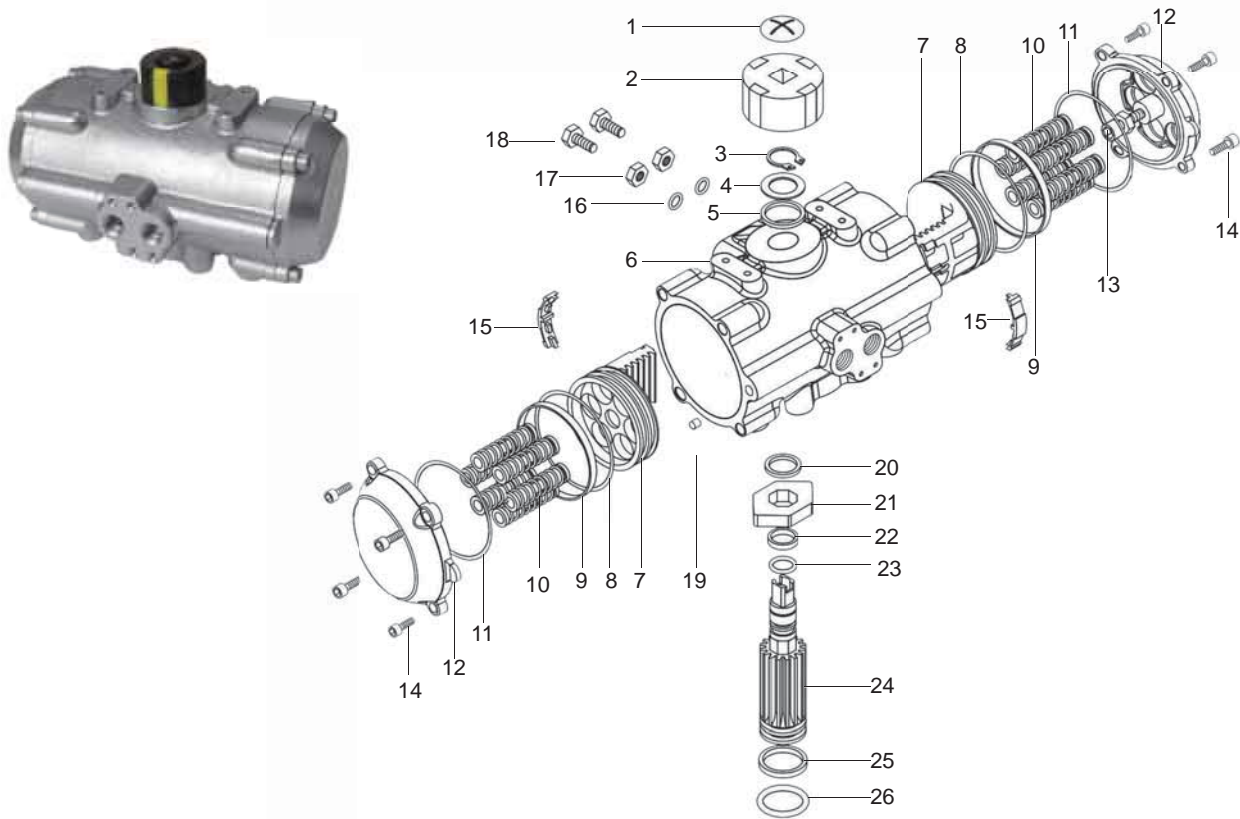
Item	Description	Material	Protection	Q'ty	Optional
1	Actuator Body	Extruded Alluminum Alloy	Hard Anodized (over 30um)	1	Nickel or PTFE coated
2	Pinion	Alloy Steel	Nickel Plated (over 15um)	1	S.S. or Alu.Alloy
3*	O-Ring(Lower Pinion)	NBR		1	Viton / HNBR
4*	O-Ring(Top Pinion)	NBR		1	Viton / HNBR
5	Thrust Bearing(Pinion)	Nylon 66		1	
6	Spring Clip	Stainless Steel		1	
7	Piston	Die Cast Aluminum Alloy	Hard Anodized (over 30um)	2	
8*	Piston Seal	NBR		2	Viton / HNBR
9	Stroke Bolt	Stainless Steel		2	
10*	Stroke Bolt O-Ring	NBR		2	Viton / HNBR
11	Stroke Bolt Washer	Stainless Steel		2	
12	Stroke Bolt Retaining Nut	Stainless Steel		2	
13	End Cap	Die Cast Aluminum	Epoxy Coated (over 80um)	2	Nickel or PTFE coated
14*	End Cap Seals	NBR		2	Viton / HNBR
15	End Cap Bolts	Stainless Steel		8	

*Note: Recommended spare parts for maintenance.



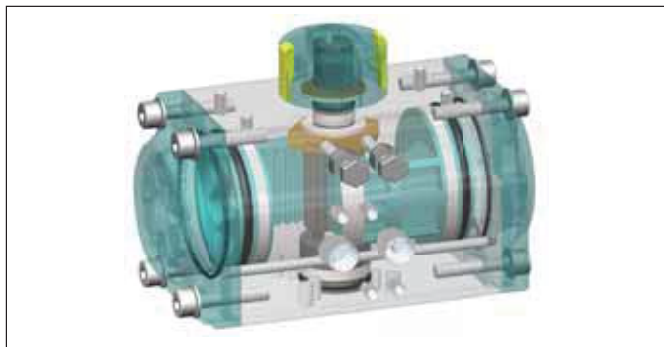
Item	Description	Material	Protection	Q'ty	Optional
1	Indicator	Plastic		1	
2	Spring Clip	Stainless Steel		1	
3	Thrust Washer(Pinion)	Stainless Steel		1	
4	Thrust Bearing(Pinion)	Nylon 66		1	
5	Actuator Body	Extruded Alluminum Alloy	Hard Anodized(over 30um)	1	Nickel or PTFE coated
6	Piston	Die Cast Aluminum Alloy	Hard Anodized(over 30um)	2	
7	Spring(Cartridge)	High Performance Spring Steel	Epoxy Coated	0-12	
8*	End Cap Seals	NBR		2	Viton / HNBR
9	End Cap Bolts	Stainless Steel		8	
10	End Cap	Die Cast Aluminum	Epoxy Coated(over 80um)	2	Nickel or PTFE coated
11*	Piston Bearing	Nylon 66		2	
12*	Piston Seal	NBR		2	Viton / HNBR
13*	Piston Guide	Nylon 66		2	
14	Stroke Bolt	Stainless Steel		2	
15	Stroke Bolt Retaining Nut	Stainless Steel		2	
16	Stroke Bolt Washer	Stainless Steel		2	
17*	Stroke Bolt O-Ring	NBR		2	Viton / HNBR
18*	O-Ring(Top Pinion)	NBR		1	Viton / HNBR
19*	Bearing(Top Pinion)	Nylon 66		1	
20*	Thrust Bearing(Pinion)	Nylon 66		1	
21	Stroke Cam	Stainless Steel		1	
22	Pinion	Alloy Steel	Nickel Plated(over 15um)	1	S.S. or Alu.Alloy
23*	Bearing(Lower Pinion)	Nylon 66		1	
24*	O-Ring(Lower Pinion)	NBR		1	Viton / HNBR
25*	Plug	NBR		2	Viton / HNBR

* Note: Recommended spare parts for maintenance.



Item	Description	Material	Qty.	Remark
1	Indicator Screw	Plastic	1	
2	Indicator	Plastic	1	
3	Snap Ring	Stainless steel	1	
4	Washer	Stainless steel	1	
5	Outside Washer	Engineering Plastics	1	
6	Body	Stainless steel	1	
7	Piston	Stainless steel	2	
8	Piston O-ring	NBR	2	Note
9	Piston Bearing	Engineering Plastics	2	
10	Spring	Spring Steel	0-12	
	Spring Retainer(L,R)	Nylon 66		
	Retainer Connector	Brass		
11	End-Cap O-ring	NBR	2	Note
12	End-Cap	Stainless steel	2	
13	Stop Screw	Stainless steel	2	
14	End-Cap Stop Screw	Stainless steel	8	
15	Guide Piston	Nylon 66	2	
16	O-ring(Adjust screw)	NBR	2	Note
17	Nut(Adjust screw)	Stainless steel	2	
18	Adjust Screw	Stainless steel	2	
19	Plug	NBR	2	Note
20	Inside Washer	Engineering Plastics	1	
21	Cam	Stainless steel	1	
22	Top Bearing	Engineering Plastics	1	
23	Top O-ring	NBR	1	Note
24	Pinion	Stainless steel	1	
25	Bottom Bearing	Engineering Plastics	1	
26	Bottom O-ring	NBR	1	Note

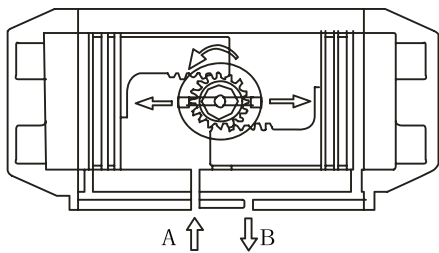
* Note: Optional material, Viton for high temp. and HNBR for low temp.application



Sizing example of NUTORK double acting actuator:
 Valve torque 100Nm plus 20% safety factor= 120Nm. Minimum operating pressure 6bar(87psig). By reading down the 6bar(87 psig) column the figure below 120Nm is 135.0Nm, The model number shown in the left hand column is therefore NKD-092.

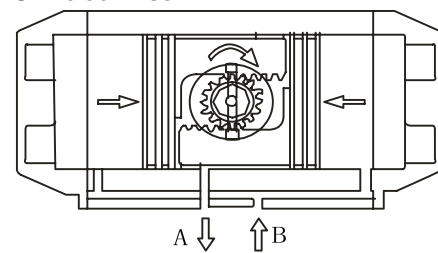
The operating principle of double acting actuator

CCW-counter-clockwise



Air to port A forces the pistons outwards, causing the piston to turn counter-clockwise while air is being exhausted from port B.

CW-clockwise

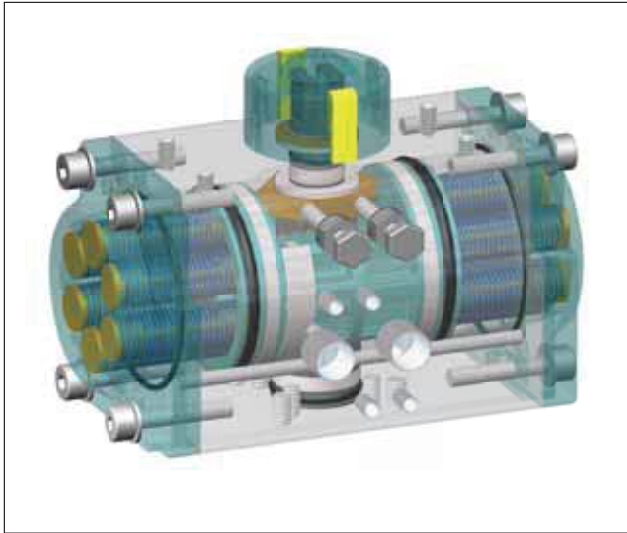


Air to port B forces the pistons inwards, causing the piston to turn clockwise while air is being exhausted from port A.

Torque Table of Double Acting Actuator

Unit : Nm

Model	Air Supply Pressure(unit:bar)							
	3.0	4.0	4.5	5.0	5.5	6.0	7.0	8.0
	Output Torque(Nm)							
NKD-032	4.6	6.1	6.9	7.6	8.4	9.2	10.7	12.2
NKD-052	12.0	16.0	18.0	20.0	21.9	23.9	27.9	31.9
NKD-063	21.9	29.2	32.8	36.5	40.1	43.8	51.1	58.4
NKD-075	30.1	40.1	45.1	50.2	55.2	60.2	70.2	80.3
NKD-083	47.0	62.7	70.5	78.4	86.2	94.1	109.7	125.4
NKD-092	67.7	90.3	101.6	112.9	124.1	135.4	158.0	180.6
NKD-105	99	132	149	165	182	198	231	265
NKD-125	151	201	226	251	276	301	351	401
NKD-140	257	342	385	428	470	513	599	684
NKD-160	399	532	599	665	732	798	931	1064
NKD-190	638	851	958	1064	1170	1277	1490	1702
NKD-210	798	1064	1197	1330	1463	1596	1862	2128
NKD-240	1154	1539	1731	1924	2116	2309	2693	3078
NKD-270	1755	2339	2632	2924	3217	3509	4094	4679
NKD-300	2029	2729	3079	3429	3779	4129	4829	5528
NKD-350	3012	4050	4570	5089	5608	6128	7166	8205
NKD-400	4589	6172	6963	7755	8546	9337	10920	12502



Sizing example of NUTORK spring return actuator:

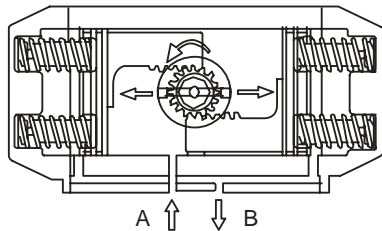
Spring to close when air fails(air to open):

Valve torque 60Nm plus 20% safety factor = 72Nm. Minimum operating pressure: 6bar(87psig). The spring return NUTORK actuator selected is NKS-105-12.The NKS-105-12 has the following output torques:

- 1.air torque 0°(valve close) = 122.5Nm > 72Nm
- 2.air torque 90°(valve open) = 80.6Nm
- 3.spring torque 90°(valve open) = 118.1Nm
- 4.spring torque 0°(valve close) = 75.9Nm > 72Nm

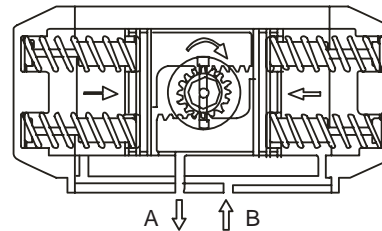
The operating principle of single acting spring return actuator

CCW-counter-clockwise



Air to port A forces the pistons outwards, causing the springs to compress. The pinion turns counter-clockwise while air is being exhausted through port B.

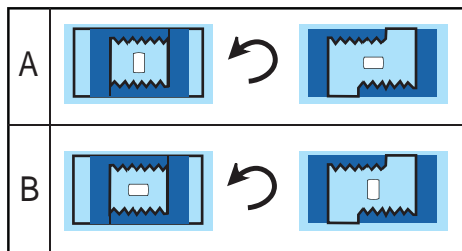
CW-clockwise



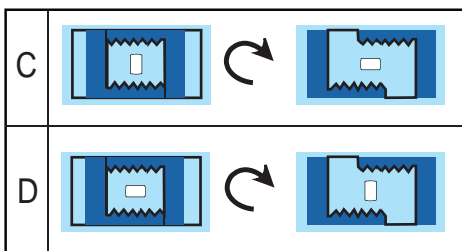
Loss of air pressure through port A allows the stored energy in the springs to force the pistons inwards. The pinion turns clockwise while air is being exhausted through port A.

Mounting Variations

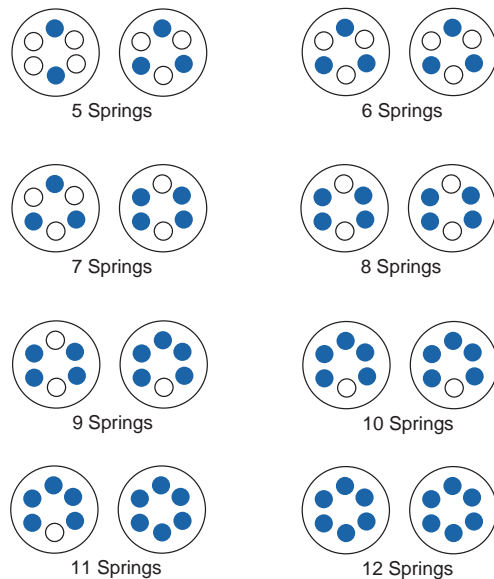
CCW-counter-clockwise



CW-clockwise

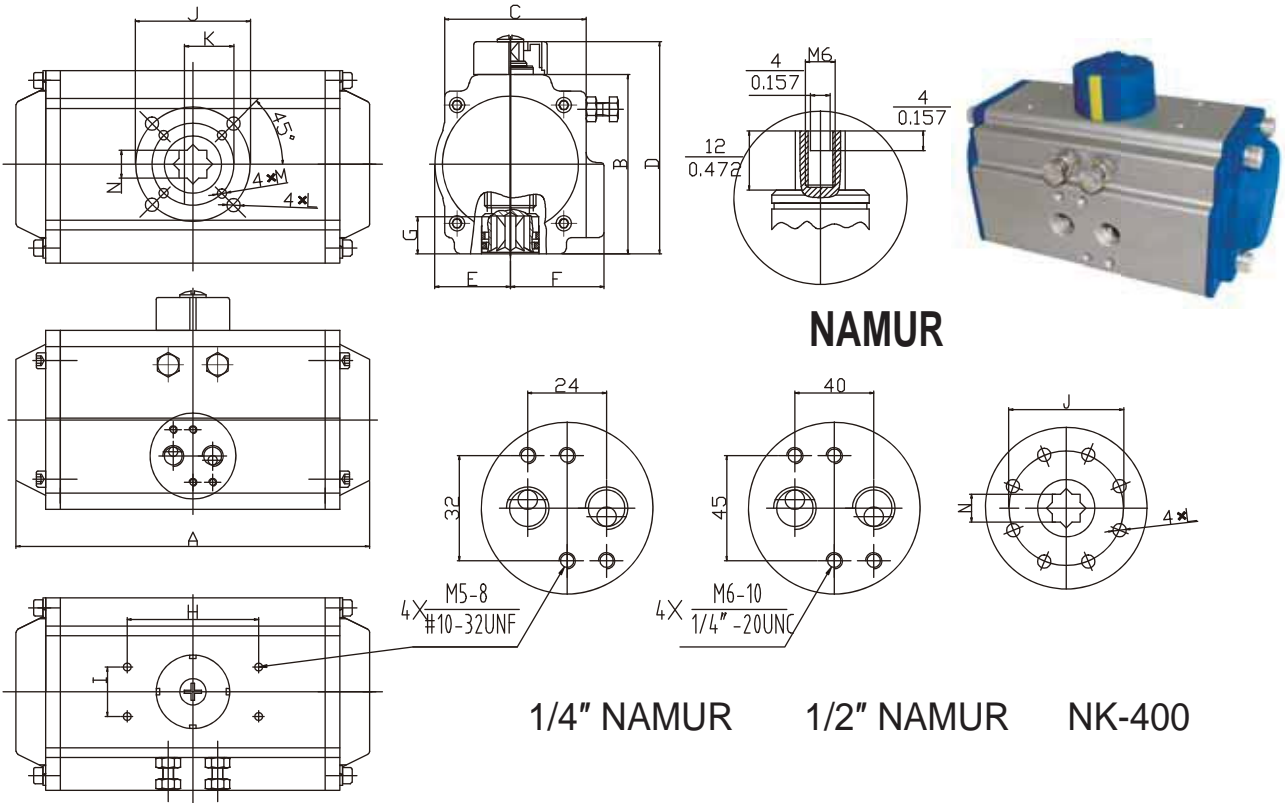


Spring Arrangement



unit:Nm

Model	Spring Set	Spring Torque (Nm)		Air Supply Pressure(Unit:bar)													
				2.5		3.0		4.0		5.0		6.0		7.0		8.0	
				Air Torque Output(Nm)													
		0°	90°	0°	90°	0°	90°	0°	90°	0°	90°	0°	90°	0°	90°	0°	90°
NKS-052	5	4.3	6.2	5.7	3.8	7.6	5.7	---	---	---	---	---	---	---	---	---	---
	6	5.0	7.4	4.9	2.5	6.9	4.5	10.9	8.5	---	---	---	---	---	---	---	---
	7	5.9	8.6	4.0	1.3	6.0	3.3	9.8	7.3	14.0	10.4	---	---	---	---	---	---
	8	6.7	9.9	---	---	5.2	2.0	9.2	6.0	13.2	9.1	17.2	14.1	---	---	---	---
	9	7.6	11.1	---	---	4.3	0.8	8.3	4.8	12.3	7.9	16.3	12.8	20.3	16.8	---	---
	10	8.5	12.4	---	---	---	---	7.4	3.6	11.5	6.7	15.5	11.6	19.5	15.6	---	---
	11	9.3	13.6	---	---	---	---	6.6	2.3	10.6	5.4	14.6	10.4	18.6	14.3	22.6	18.3
	12	10.2	14.8	---	---	---	---	---	---	9.7	4.2	13.8	9.1	17.8	12.2	21.8	17.1
NKS-063	5	6.8	10.4	14.1	7.7	15.0	11.4	22.3	14.9	---	---	---	---	---	---	---	---
	6	8.2	12.5	10.1	5.7	13.6	9.3	20.9	16.6	28.3	23.9	---	---	---	---	---	---
	7	9.6	14.6	8.6	3.6	12.5	7.2	19.5	14.5	26.8	21.9	---	---	---	---	---	---
	8	10.9	16.7	---	---	10.9	5.1	18.2	12.4	25.5	19.8	32.8	27.0	40.1	34.3	---	---
	9	12.3	18.8	---	---	---	---	16.8	10.4	24.1	17.7	31.4	24.9	38.7	32.2	---	---
	10	13.7	20.9	---	---	---	---	11.4	8.2	22.8	15.6	30.0	22.8	37.3	30.1	44.7	37.4
	11	15.0	22.9	---	---	---	---	---	---	21.5	13.5	28.7	20.7	36.0	28.0	43.3	35.3
	12	16.4	25.0	---	---	---	---	---	---	20.0	11.4	27.3	18.6	34.6	25.9	41.9	33.3
NKS-075	5	10.5	14.5	14.5	10.6	19.4	15.5	29.5	25.7	---	---	---	---	---	---	---	---
	6	12.7	17.4	12.4	7.6	17.3	12.6	27.4	22.7	37.5	32.8	---	---	---	---	---	---
	7	14.8	20.3	10.4	4.8	15.2	9.7	25.3	19.9	35.4	29.9	---	---	---	---	---	---
	8	16.9	23.2	---	---	13.1	6.8	23.1	16.9	33.3	27.0	43.2	37.0	53.3	47.0	---	---
	9	19.0	26.1	---	---	---	---	21.0	14.1	31.2	24.1	41.1	34.1	51.2	44.2	---	---
	10	21.1	29.0	---	---	---	---	19.0	11.1	28.8	21.2	39.0	31.2	49.1	41.2	59.1	51.2
	11	23.2	31.9	---	---	---	---	---	---	27.0	18.3	37.0	28.3	47.0	38.4	57.0	48.4
	12	25.3	34.7	---	---	---	---	---	---	24.9	15.4	34.9	25.4	44.9	35.4	54.9	45.4
NKS-083	5	15.8	23.0	23.7	16.1	31.1	24.0	46.8	37.9	---	---	---	---	---	---	---	---
	6	19.0	27.6	20.1	11.5	28.0	19.3	43.7	35.1	59.4	50.7	---	---	---	---	---	---
	7	22.1	32.2	17.0	6.9	24.8	14.8	40.5	30.5	56.2	46.2	---	---	---	---	---	---
	8	25.3	36.8	---	---	21.7	10.1	37.4	25.8	53.1	41.5	68.8	57.2	84.5	72.9	---	---
	9	28.5	41.4	---	---	---	---	34.2	21.3	49.9	37.0	65.6	52.6	81.2	68.3	---	---
	10	31.6	46.0	---	---	---	---	31.0	16.6	46.7	32.3	62.4	48.0	78.1	63.7	93.8	79.3
	11	34.8	50.6	---	---	---	---	---	---	43.6	27.7	59.3	43.4	75.0	59.1	90.6	74.8
	12	38.0	55.2	---	---	---	---	---	---	40.4	23.2	56.1	38.9	71.7	54.5	87.4	70.2
NKS-092	5	23.3	34.4	33.1	22.0	44.2	33.2	66.8	55.9	---	---	---	---	---	---	---	---
	6	28.0	41.2	28.4	15.2	39.6	26.4	62.2	49.0	84.8	71.6	---	---	---	---	---	---
	7	32.7	48.1	23.8	8.2	34.9	19.4	57.5	42.1	80.2	64.7	---	---	---	---	---	---
	8	37.3	55.0	---	---	31.3	12.6	52.9	35.2	75.5	57.9	98.1	80.5	120.7	103.0	---	---
	9	42.0	61.9	---	---	---	---	48.2	28.4	70.9	51.0	93.5	73.6	116.0	96.1	---	---
	10	46.7	68.7	---	---	---	---	43.6	21.5	66.2	44.1	88.8	66.7	111.3	89.2	134.0	111.8
	11	51.4	75.6	---	---	---	---	---	---	61.5	37.2	84.1	59.9	106.6	82.4	129.2	105.0
	12	56.0	82.5	---	---	---	---	---	---	56.8	30.4	79.4	53.0	101.9	75.5	124.5	98.1
NKS-105	5	31.6	49.2	51.0	33.4	67.5	49.9	100.6	83.0	---	---	---	---	---	---	---	---
	6	38.0	59.1	44.7	23.5	61.1	40.0	94.2	73.2	127.3	106.2	---	---	---	---	---	---
	7	44.3	68.9	38.4	13.7	54.9	30.3	87.9	63.4	121.0	96.4	---	---	---	---	---	---
	8	50.6	78.7	---	---	48.5	20.4	81.6	53.5	114.7	86.5	147.7	119.6	180.8	152.7	---	---
	9	56.9	88.6	---	---	---	---	75.3	43.7	108.4	76.8	141.5	109.8	174.5	142.9	---	---
	10	63.3	98.4	---	---	---	---	68.9	33.4	102.0	66.5	135.1	99.6	168.2	132.6	201.2	165.7
	11	69.6	108.3	---	---	---	---	---	---	95.7	57.0	128.7	90.1	161.8	123.1	194.8	156.2
	12	75.9	118.1	---	---	---	---	---	---	89.4	47.5	122.5	80.6	155.5	113.6	188.6	146.7
NKS-125	5	52	79	73	47	98	72	148	122	---	---	---	---	---	---	---	---
	6	63	94	63	31	88	56	138	107	188	157	---	---	---	---	---	---
	7	73	110	52	15	77	40	127	90	178	141	---	---	---	---	---	---
	8	84	125	---	---	67	25	117	75	167	125	217	176	268	226	---	---
	9	94	141	---	---	---	---	107	59	157	109	207	159	257	210	---	---
	10	105	157	---	---	---	---	96	44	146	94	196	144	247	194	297	245
	11	115	173	---	---	---	---	---	---	136	78	186	128	236	178	286	228
	12	125	188	---	---	---	---	---	---	125	63	176	113	226	163	276	213
NKS-140	5	86	129	128	85	171	127	256	213	---	---	---	---	---	---	---	---
	6	103	155	111	59	154	102	239	187	325	273	---	---	---	---	---	---
	7	120	181	94	33	137	76	222	162	308	247	---	---	---	---	---	---
	8	137	206	---	---	120	50	205	136	291	221	376	307	462	392	---	---
	9	155	232	---	---	---	---	187	110	273	196	358	281	444	367	---	---
	10	172	258	---	---	---	---	170	84	256	169	341	255	427	340	512	426
	11	189	284	---	---	---	---	---	---	238	143	324	229	409	314	495	400
	12	206	310	---	---	---	---	---	---	221	118	307	203	392	289	478	374

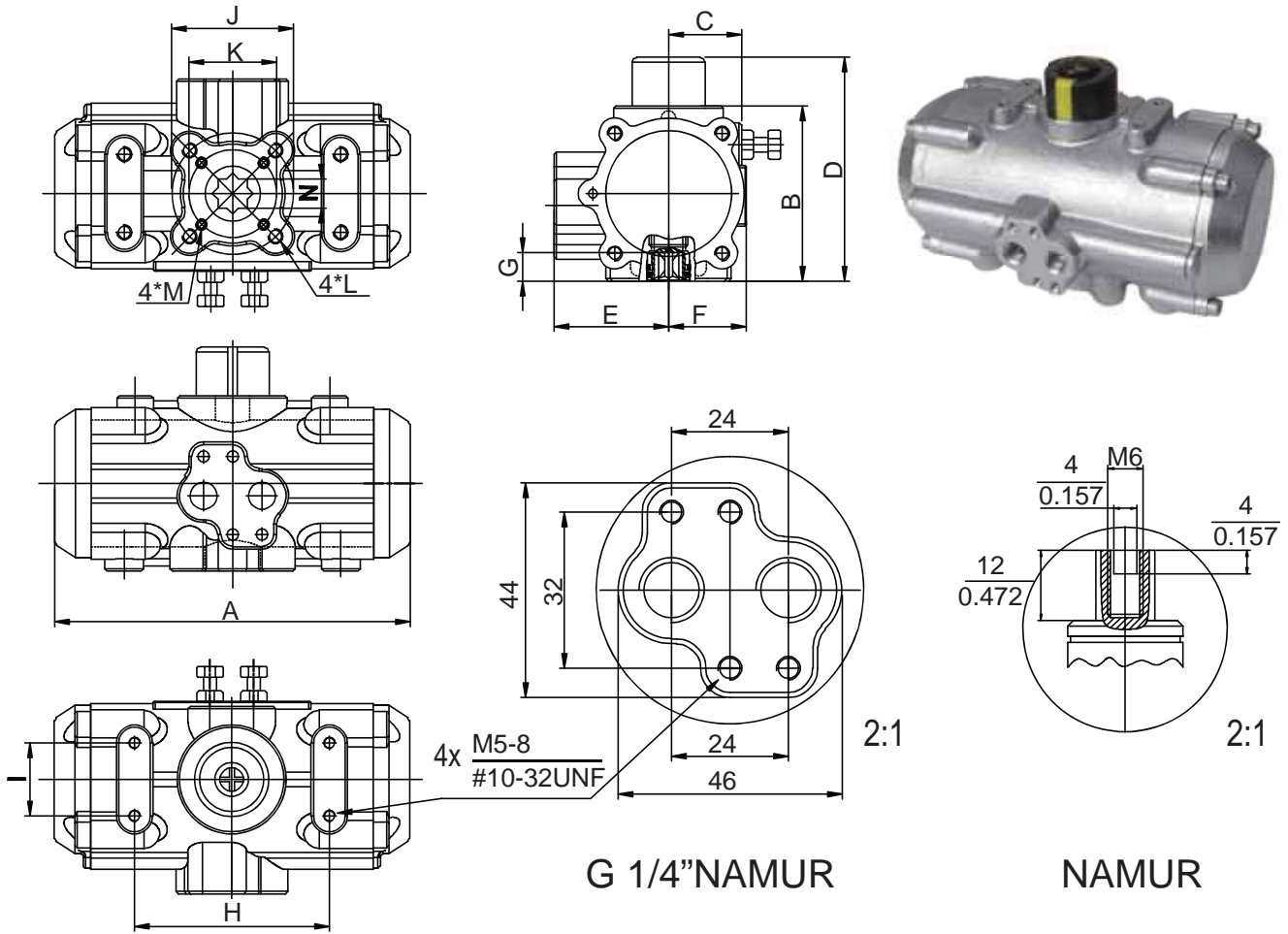


Dimension Table

Unit: $\frac{\text{mm}}{\text{inch}}$

Model	A	B	C	D	E	F	G	H	I	N	J	K	L	M	Air Connection
NK-032	110	45	45	65	22.5	22.5	11	50	25	9	F03	---	M5*7.5	---	1/8"
	4.33	1.77	1.77	2.65	0.89	0.89	0.89	1.97	0.98	0.35			#10-24UNF	---	
NK-052	146	72	60	92	26	41.5	14	80	30	11	F05	F03	M6*10	M5*7.5	1/8" or 1/4"(std)
	5.74	2.83	2.36	3.62	1.02	16.33	0.55	3.15	1.18	0.43			1/4"-20UNC	#10-24UNF	
NK-063	169	88	69.5	108	33.5	47	17	80	30	14	F07	F05	M8*13	M6*10	1/8" or 1/4"(std)
	6.65	3.46	27.36	2.25	1.31	1.85	0.66	3.15	1.18	0.55			5/16"-20UNC	1/4"-20UNC	
NK-075	186	100	78	120	39	53	17	80	30	14	F07	F05	M8*13	M6*10	1/8" or 1/4"(std)
	7.32	3.93	3.07	4.72	1.53	2.08	0.66	3.15	1.18	0.55			5/16"-20UNC	1/4"-20UNC	
NK-083	210	109	86	129	40	57	20	80	30	17	F07	F05	M8*13	M6*10	1/8" or 1/4"(std)
	8.26	4.29	3.38	5.07	1.57	2.24	0.79	3.15	1.18	0.67			5/16"-20UNC	1/4"-20UNC	
NK-092	264	117	90.5	137	44.5	58.5	20	80	30	17	F07	F05	M8*13	M6*10	1/8" or 1/4"(std)
	10.39	4.6	3.56	5.39	1.75	2.3	0.79	3.15	1.18	0.67			5/16"-20UNC	1/4"-20UNC	
NK-105	272	133	104	153	52	64	26	80	30	22	F10	F07	M10*16	M8*13	1/4"
	10.7	5.23	4.09	6.02	2.04	2.51	1.02	3.15	1.18	0.87			3/8"-20UNC	5/16"-20UNC	
NK-125	302	155	120	185	60	74.5	25	130	30	22	F10	F07	M10*16	M8*13	1/4"
	11.88	6.1	4.72	7.28	2.36	2.93	0.98	5.11	1.18	0.87			3/8"-20UNC	5/16"-20UNC	
NK-140	398	172	125	202	65	77	30	130	30	27	F12	F10	M12*20	M10*16	1/4"
	15.66	6.77	4.92	7.95	2.55	3.03	1.18	5.11	1.18	1.06			1/2"-20UNC	3/8"-20UNC	
NK-160	456	197	142	227	74	87	30	130	30	27	F12	F10	M12*20	M10*16	1/4"
	17.95	7.75	5.59	8.93	2.91	3.42	1.18	5.11	1.18	1.06			1/2"-20UNC	3/8"-20UNC	
NK-190	534	230	172	260	86	103	40	130	30	36	F14	---	M16*20	---	1/4"
	21.02	9.05	6.77	10.23	3.38	4.05	1.57	5.11	1.18	1.42			5/8"-20UNC	---	
NK-210	536	255	194	285	97	113	43	130	30	36	F14	---	M16*20	---	1/4"
	21.1	10.03	7.63	1.12	3.81	4.44	1.69	5.11	1.18	1.42			5/8"-20UNC	---	
NK-240	612	290	230	320	115	130	50	130	30	46	F16	---	M20*25	---	1/4" or 3/8"(std)
	24.09	11.41	9.05	12.59	4.52	5.11	1.97	5.11	1.18	1.81			3/4"-20UNC	---	
NK-270	718	330	252	360	126	147	50	130	30	46	F16	---	M20*25	---	1/4" or 3/8"(std)
	28.26	12.99	9.92	14.17	4.96	5.78	1.97	5.11	1.18	1.81			3/4"-20UNC	---	
NK-300	784	354	335	384	162	173	50	130	30	46	F16	---	M20*25	---	1/2"
	30.86	13.93	13.2	15.11	6.37	6.8	1.97	5.11	1.18	1.81			3/4"-20UNC	---	
NK-350	845	410	385	440	190	195	50	130	30	46	F16	---	M20*25	---	1/2"
	33.26	16.14	15.15	17.32	7.48	7.67	1.97	5.11	1.18	1.81			3/4"-20UNC	---	
NK-400	956	466	520	496	260	260	60	130	30	55	F25	---	M16*20	---	1/2"
	37.63	18.34	20.47	19.52	10.23	10.23	2.36	5.11	1.18	2.16			5/8"-20UNC	---	

* Dimensions for reference only, subject to change.



Dimension Table

Unit: **mm**
inch

Model	A	B	C	D	E	F	G	H	I	N	J	K	L	M	Air Connection
NK-SS-052	146	72	30	92	47	32	14	80	30	11	F05	F03	M6x10	M5x7.5	G 1/4"
	5.7	2.8	1.2	3.6	1.9	1.3	0.6	3.1	1.9	0.4			1/4"-20UNC	#10-24UNF	
NK-SS-063	173	88	36	108	54	38	18	80	30	14	F07	F05	M8x13	M6x10	G 1/4"
	6.8	3.5	1.4	4.3	2.1	1.5	0.7	3.1	1.2	0.6			5/16"-18UNC	1/4"-32UNC	
NK-SS-083	204	108	48	128	65.5	48	21	80	30	17	F07	F05	M8x13	M6x12	G 1/4"
	8.0	4.3	1.9	5	2.6	1.9	0.8	3.1	1.2	0.7			5/16"-20UNC	1/4"-20UNC	
NK-SS-105	270	133	50	153	77	60	26	80	30	22	F10	F07	M8x13	M8x13	G 1/4"
	10.1	5.2	2	6	3	2.4	1	3.2	1.2	0.87			3/8"-16UNC	5/16"-18UNC	
NK-SS-125	302	155	58	175	87	69.5	27.6	130	30	22	F102	F07	M10x16	M8x13	G 1/4"
	11.89	6.1	2.3	6.9	3.4	2.7	1	5.1	1.2	0.87			3/8"-16UNC	5/16"-20UNC	
NK-SS-140	394	172	69	192	95.5	77	32	130	30	27	F12	F10	M12x20	M10x16	G 1/4"
	15.5	6.8	2.7	7.6	3.76	3	1.26	5.1	1.2	1.1			1/2"-12UNC	3/8"-16UNC	
NK-SS-160	456	198	75	218	106	87	34	130	30	27	F12	F10	M12x20	M10x16	G 1/4"
	18	7.8	2.95	8.6	4.2	3.4	1.3	5.1	1.2	1.1			1/2"-12UNC	3/8"-16UNC	
NK-SS-210	568	257	90	287	133	113	40	130	30	36	F14		M16x24		G 1/4"
	22.3	10.1	3.5	11.3	5.2	4.4	1.6	5.1	1.2	1.4			5/8"-11UNC		

* Dimensions for reference only, subject to change.

Air Consumption - Air Volume Opening & Closing

(Model)	Air Volume @Opening(liter)	Air Volume @Closing(liter)	(Model)	Air Volume @Opening(liter)	Air Volume @Closing(liter)
NK-32	0.03	0.04	NK-160	3.7	3.2
NK-52	0.12	0.16	NK-190	5.9	5.4
NK-63	0.21	0.23	NK-210	7.5	7.5
NK-75	0.3	0.34	NK-240	11	9
NK-83	0.43	0.47	NK-270	17	14
NK-92	0.64	0.73	NK-300	19.1	28.2
NK-105	0.95	0.88	NK-350	27.7	44.1
NK-125	1.6	1.4	NK-400	42.8	62.1
NK-140	2.5	2.2			

Air consumption rest with Air supply. Air volume and Action cycle times, expressions

$L/Min=Air\ volume(Air\ volume\ Opening+Air\ Volume\ Closing)X[(Air\ Supply(Kpa)+101.3)/101.3]X\ Action\ cycle\ time(/min)$

Weight (kg)

Model	NK-32	NK-52	NK-63	NK-75	NK-83	NK-92	NK-105	NK-125	NK-140	NK-160	NK-190	NK-210	NK-240	NK-270	NK-300	NK-350	NK-400
DA	0.47	1.38	2.03	2.7	3.13	4.6	6.77	8.9	13.25	20.14	31.3	46.8	67.28	96.9	108	146.7	220.5
S	---	1.45	2.05	2.9	3.6	5.22	6.85	10.11	15.55	24	35.25	54.8	80.2	118	135.6	188.1	283.5

Operation Time (Second)

	NK-32	NK-52	NK-63	NK-75	NK-83	NK-92	NK-105	NK-125	NK-140	NK-160	NK-190	NK-210	NK-240	NK-270	NK-300	NK-350	NK-400
DA(0°-90°)	0.3	0.6	0.66	0.72	0.83	1	1.35	2.4	2.5	3.93	4.55	5.5	8.4	10.9	5	6.2	7.5
DA(90°-0°)	0.4	0.53	0.58	0.64	0.73	0.86	1.3	1.79	2.1	2.6	3.45	4.35	8.33	8.53	6	7.2	8.5
SR6(0°-90°)	---	2.46	2.54	2.62	2.71	2.89	3.14	4.24	4.4	4.74	5.75	8.25	16.2	17.6	Please contact Nutork		
SR6(90°-0°)	---	0.48	0.56	0.64	0.73	0.86	0.91	1.2	1.35	1.77	3.7	4.8	5.14	6.28			
SR7(0°-90°)	---	2.48	2.56	2.64	2.73	2.91	3.16	4.26	4.4	4.76	5.77	8.4	16.4	17.8			
SR7(90°-0°)	---	0.46	0.54	0.62	0.71	0.84	0.89	1.18	1.33	1.75	3.5	4.6	5.12	6.26			
SR8(0°-90°)	---	2.5	2.58	2.66	2.75	2.93	3.18	4.28	4.62	4.78	5.75	8.42	16.42	17.6			
SR8(90°-0°)	---	0.44	0.52	0.6	0.69	0.82	0.87	1.16	1.31	1.73	3.48	4.58	5.1	6.24			
SR9(0°-90°)	---	2.52	2.6	2.68	2.77	2.95	3.2	4.3	4.64	4.8	5.77	8.44	16.44	17.8			
SR9(90°-0°)	---	0.42	0.5	0.58	0.67	0.8	0.85	1.14	1.29	1.71	3.46	4.56	4.9	6.2			
SR10(0°-90°)	---	2.54	2.62	2.7	2.79	2.97	3.22	4.32	4.66	4.82	5.79	8.46	16.6	18			
SR10(90°-0°)	---	0.4	0.48	0.56	0.65	0.78	0.83	1.12	1.27	1.69	3.44	4.54	4.98	6.18			
SR11(0°-90°)	---	2.56	2.64	2.72	2.81	2.99	3.24	4.34	4.68	4.82	5.8	8.48	16.8	18.2			
SR11(90°-0°)	---	0.38	0.46	0.54	0.63	0.76	0.81	1.1	1.25	1.67	3.42	4.52	4.86	6.16			
SR12(0°-90°)	---	2.58	2.66	2.74	2.83	3.01	3.26	4.36	4.68	4.84	5.83	8.5	17	18.4			
SR12(90°-0°)	---	0.36	0.44	0.52	0.61	0.74	0.79	1.08	1.22	1.65	3.4	4.5	4.84	6.14			

Order Information

Actuator Body Mateial	Model	Spring Set	Seal Material	Option
	NK-032			
Aluminum Alloy Body	NK-052	Blank (Double Acting Actuator)		
NKD (Double Acting Actuator)	NK-063			
(Spring Return Actuator)	NK-075	05		
	NK-083	06		
	NK-092	07	Standard: NBR	
316SS Body	NK-105	08		(0-120° operation)
NKD-S6 (Double Acting Actuator)	NK-125	09	HT (High Temperature) :Viton	
NKS-S6(Spring Return Actuator)	NK-140	10		(0-180° operation)
	NK-160	11	LT (Low Temperature) : HNBR	
	NK-190	12		
304SS Body	NK-210			
NKD-S4(Double Acting Actuator)	NK-240			
NKS-S4(Spring Return Actuator)	NK-270			
	NK-300			
	NK-350			
	NK-400			

Note: The part numbers are represented as the following: Type-Model-Spring Set-Seals-Options

NUTORK CORP. manufactures a wide range of pneumatic actuators, electric actuators and the accessories of pneumatic actuator (limit switchbox, solenoid valve, manual override ---etc.) for quarter turn valves

Nutork Corp. supply the following product range:

	<p>NK series rack & pinion type (CE-ATEX certified and PED compliant) 14 models, the output torque from 9Nm(80in.lbs) to 3,920Nm(34,660in.lbs) at 6 bar air supply. ISO5211/DIN3337 for valve connection, VDI/VDE 3845(Namur) standard connection for solenoid valve and shaft top end(limit switchbox or E/P positioner), +/-5 degree stroke adjustment. 25-30um standard hard anodized treatment on actuator body and over 120um epoxy coated on end caps which meet ASTM B117 qualification(salt spread test over 1,000 hours and no corrosion).</p> <p>PTFE, Polyester, Nickel, Ceramic and Epoxy coated are available on request.</p>
	<p>NSF series scotch yoke type pneumatic and hydraulic actuators (CE-ATEX certified and PED compliant) The output torque from 978Nm(8,656in.lbs) to 226,200Nm (2,001,870in.lbs) at 6 bar air supply. Anti-corrosion painting on outer body and cylinder as standard. VDI/VDE 3845(Namur) standard connection for shaft top end(limit switchbox or E/P positioner), +/-10 degree stroke adjustment. ISO5211 standard for valve connection. PTFE coated on inner cylinder surface. Hydraulic manual override is available for big size actuator.</p>
	<p>NTE series electric actuator, CE approval 13 models and the output torque from 18Nm(159in.lbs) to 6000Nm(53,106in.lbs), compact design, die-casting aluminum alloy housing, alloy steel with heat treatment gear driving unit, integral wormgear & drive shaft, 30% duty rating, detachable crank handle, ISO5211(option), IP67 enclosure.IP68 for option.</p>
	<p>NTE-02L Quarter Turn Electric Actuator Output torque 25Nm(222in.lbs),operation time 10Sec;voltage 24VAC,110VAC & 220VAC for option,ABS housing, 30% duty rating,IP65 enclosure.</p>
	<p>NTQ electric actuator, CE approval(IP67 & EExdIIIBT4 enclosure) 13 models, the output torque from 100Nm(885in.lbs) to 6,000Nm(53,106in.lbs), de-clutchable manual override, 2xSPDT each for open & close, torque switch: 1xSPDT each for open & close. space heater, self-lock, IP67 & EExdIIIBT4 enclosure.</p>
	<p>The fully range accessories(Limit Switchbox, Solenoid Valve, De-clutchable Manual Override, Air Filter regulator, E/P Positioner ---etc).</p>

Agent:

NUTORK Corp.

Head Office:
 P.O.Box 890245,Houston,
 TX 77289,USA

Tel:+1-(713)-429-5458

Fax:+1-(866)-478-9624

E-mail:nutork-usa@nutork.com