

# **ITS Series** *Position Monitoring Switch*



***First in Automation...***

**ITP**



# Explosion Proof position monitoring switches



Rigid and compact design constructed from aluminum alloy die-casting capable of operating even in arduous conditions

## ITS 300 series

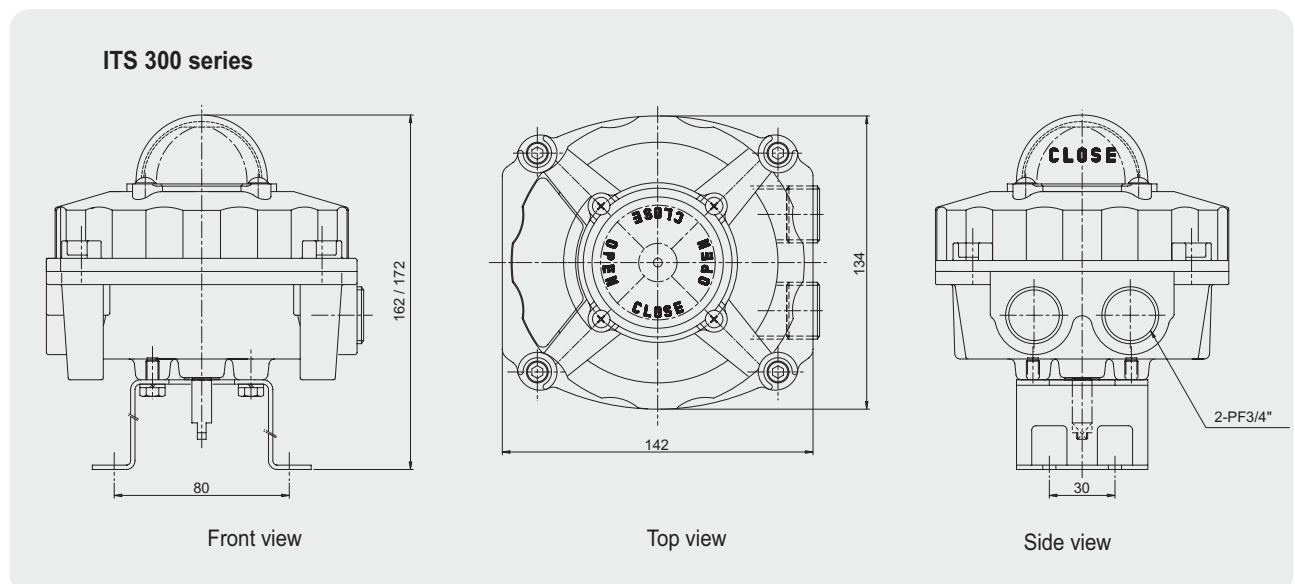
ITS 300 series are designed suitable for valve and actuators in hazardous area application, having compact but robust construction conforms to EN50014 and 50018, also suitable in Zone 1 and 2, and ingress protection IP67

Standard aluminum housing provides reliable explosion proof performance.



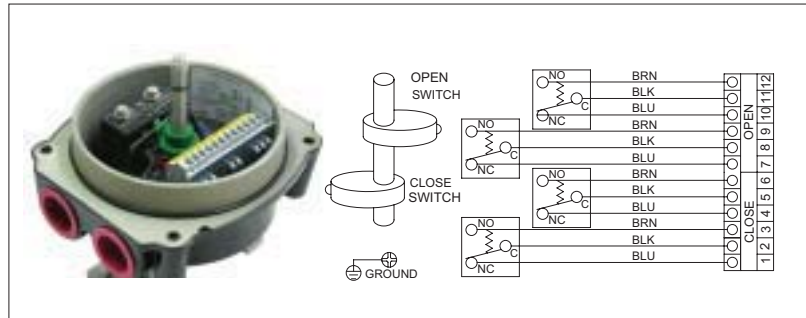
SPECIFICATION	Standard	Option
<b>Enclosure</b>	Explosion proof Ex d IIC T6, IP67, O-ring sealed	IP 68
<b>Outside coating</b>	Epoxy-Polyester outside against corrosion	Nylon Coating Special color Coating
<b>Ambient temperature</b>	-20°C~+80°C	Higher(~100°C) and lower (-40°C~) temperature
<b>Cable entries</b>	2 - PF3/4", other standard threads	(NPT3/4", PF3/4", M25x1.5)
<b>Terminal block</b>	8 nos of terminal strips (6 for switches, 2 for solenoid valve power)	
<b>Position indicator</b>	Dome type 0°~90°	Others(3 way L-port, T-port)
<b>Mounting bracket</b>	Stainless steel acc. to VDI/VDE3845 NAMUR, SS1, SS2 as standard	SS3, MT1 as option
<b>Switches(Sensors)</b>	2-SPDT mechanical switch(Form C)	DPDT Switches Proximity sensors(P & F, Autonics) Magnetic sensors Position transmitter (output 0~1Kohm, 4-20mA DC)

## DIMENSION



**Mechanical DPDT switches**

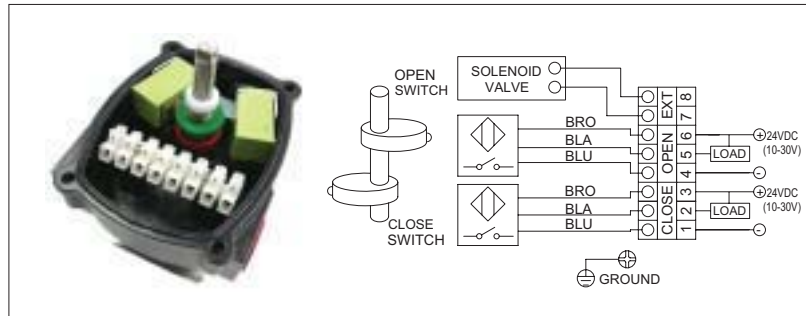
Rating : 10A 125 or 250V AC  
 2A 480V AC  
 1/8HP 125V AC  
 0.25HP 250V AC  
 0.5A 125V DC  
 0.25A 250V DC  
 approved by UL, CSA



**Proximity Sensors**

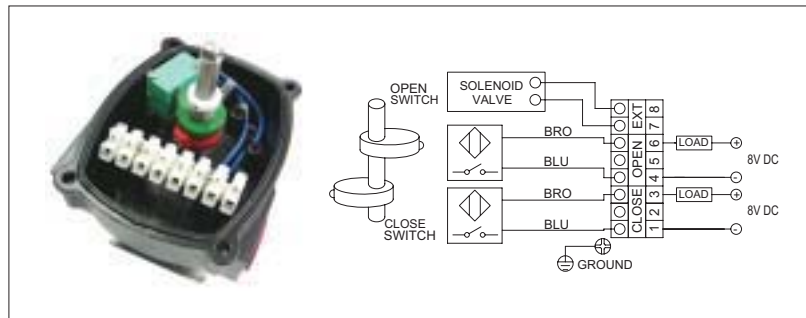
**Autonics sensors**

**PS17-5DNU(NPN, PNP)**  
 Voltage rating : 10~30V DC  
 Sensing distance : 5mm  
 Ambient temperature : -25°C ~+70°C



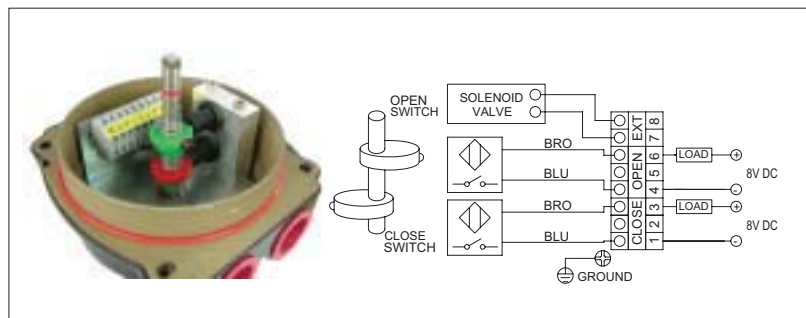
**P & F sensors**

**NJ2-V3-N(Intrinsic safe, two wire)**  
 Voltage rating : 8V DC  
 Sensing distance : 2mm  
 Ambient temperature : -25°C ~+100°C



**NJ4-12GK-SN**

Voltage rating : 8V DC  
 Sensing distance : 4mm  
 Ambient temperature : -50°C ~+100°C



**Model number Legend**

<b>ITS</b>	<b>3</b>	<b>0</b>	<b>0</b>
	1: Weather proof	0: Mechanical switches	0 : 2 - SPDT
	3: Explosion proof		1 : 3 - SPDT
	5: Special material housing (316L, Duplex)		2 : 4 - SPDT
		1 : Proximity sensors	3 : 2 - SPST
			4 : 2 - DPDT
			5 : 2 - SPDT + output(0~1Kohm)
			6 : S - SPDT + output(4-20mA)
			0 : Autonics(PS17-5DNU)
			1 : P & F (NJ2-V3-N)
			S: Other type sensors

- Model numbers in Green are applicable to ITS100, 300 and 500 series
- Model numbers in Red are applicable to ITS300 and 500 series



Website : <http://www.i-tork.com>

Technical details are subject to change without prior notification, without our responsibility.