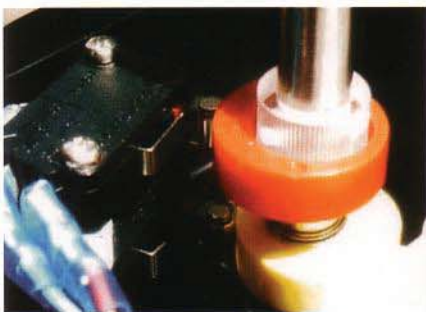
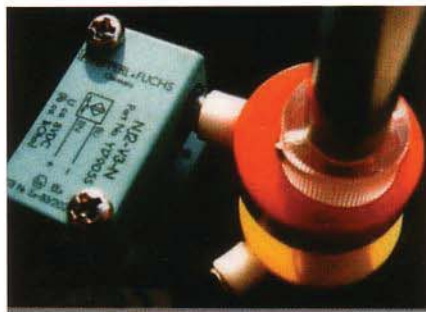


APL-3N SERIES

- Solid & flexible design
- Various options available
 - Additional switches : 3~4 mechanical switches
 - Additional terminal strips : 9-24 points
 - Proximity sensors, Magnetic switches. etc
 - Potentiometer (1K ohm, 0-5K ohm, 0-10K ohm)
 - Signal output (4-20mA, 20-4mA)
- Applicable to any type valves with various Namur standard brackets



Two Mechanical S/W



Proximity Sensors



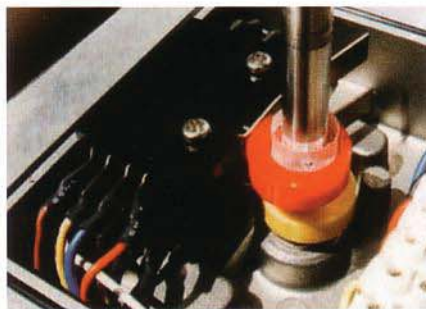
High Temperature

APL-4N SERIES

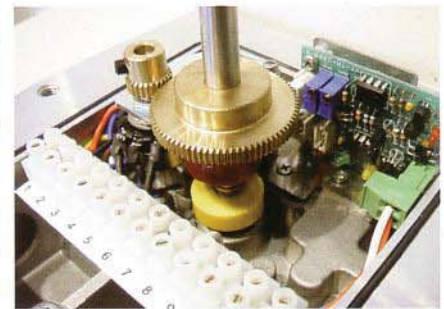
- Explosion proof application : Ex d IIB T6
- Cable entries : 2 x 3/4" NPT(standard)
- Terminal block : 9~24 points available
- Switches : DPDT switches available
- Proximity sensors, Magnetic switches, etc
- Potentiometer (1K ohm, 0-5K ohm, 0-10K ohm)
- Signal output (4-20mA, 20-4mA)
- Applicable to any type valves with various Namur standard brackets



APL - 410N (2 SPDT)



APL - 414N (2 DPDT)



APL - 416N
(2 SPDT + Signal unit)

Structure

Enclosure

Solid and beautiful design
aluminium die-casting
IP67

Painting

Powder coating

Housing Body

Aluminium die-casting

Quick-Set Cam

Easy to set, Splined cam
Open-Yellow, Close-Red

Various Switches

Mechanical
Proximity(P & F)
Reed & Pneumatic

Mounting Bracket



Shaft

Stainless steel
NAMUR

O-rings



Visual Position Indicator

Poly-carbonated
Open-Yellow, Close-Red

Name Plate

Housing Cover

Aluminium die-casting

Captive Bolts

Stainless steel

Terminal Strip

Standard 8 points

Earth lug

Multi-Ports

Main.2, Max.4Ports

Material

Part Name	No	Specification
Housing Cover	1	Aluminium Die Casting
Housing Body	1	Aluminium Die Casting
Shaft	1	Stainless steel
Position Indicator Cover	1	Polycarbonate
Position Indicator	1	ABS/Polycarbonate
Terminal Strip	8	Polycarbonate/Tin Plated Brass/Stainless steel
Cam	2	Polycarbonate
Spring	1	Stainless steel
Housing Cover Bolts	310 4	Stainless steel
	410 6	Stainless steel
Shaft O-ring	2	NBR
Housing O-ring	1	NBR
Position Indicator O-ring	1	NBR
Bushing	2	Bronze
Earth lug	310 1	Stainless steel
	410 2	Stainless steel
E-ring	1	Stainless steel

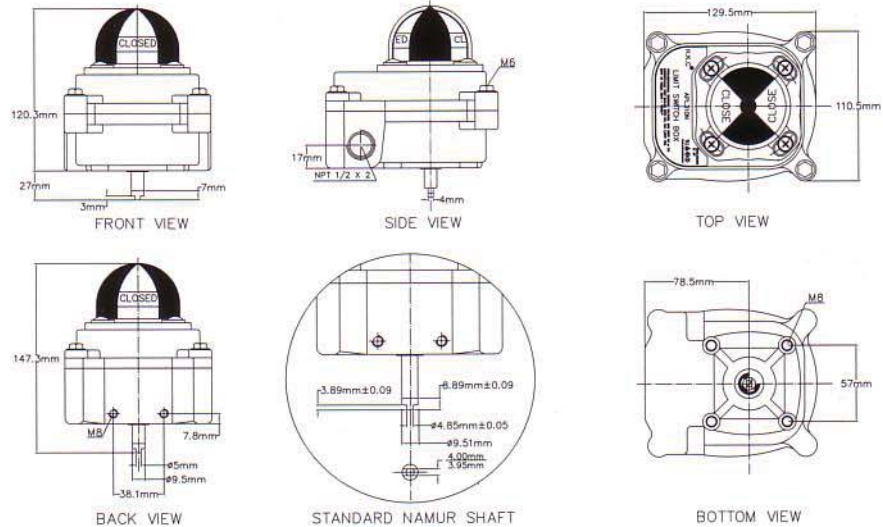
SPECIFICATION

Model	APL-3N series		APL-4N series	
	Standard	Option	Standard	Option
Enclosure	Weather proof, IP67		IP67. Explosion proof Exd IIB T6 to EN50014/50018	
Temperature	-20° C ~ 85° C		-20° C ~ 85° C	
Cable Entries	2 x 1/2 NPT	PT 1/2, PF 1/2, M20, PG 13.5, 3~4 entries	2 x 3/4 NPT	PT 3/4 ,PF3/4 3~4 entries
Terminal Strips	8 Points	9 ~ 24 Points Used in	8 Points	9 ~ 24 Points
Position Indicator	0~90° Open - Green Close - Red	0~180° Open - Yellow Close - Red	0~90° Open - Green Close - Red	0~180° Open - Yellow Close - Red
Switches	Mechanical switches, Proximity sensors, GO switches, Magnetic switches			
Potentiometer	1k ohm standard, 0-5 ohm, 0-10 k ohm			
Current Output Signal Unit	4 ~ 20mA, 20 ~ 4mA			
Painting	Polyester Power Coating with black color	Nylon Others on request	Polyester Power Coating with black color	Nylon Others on request

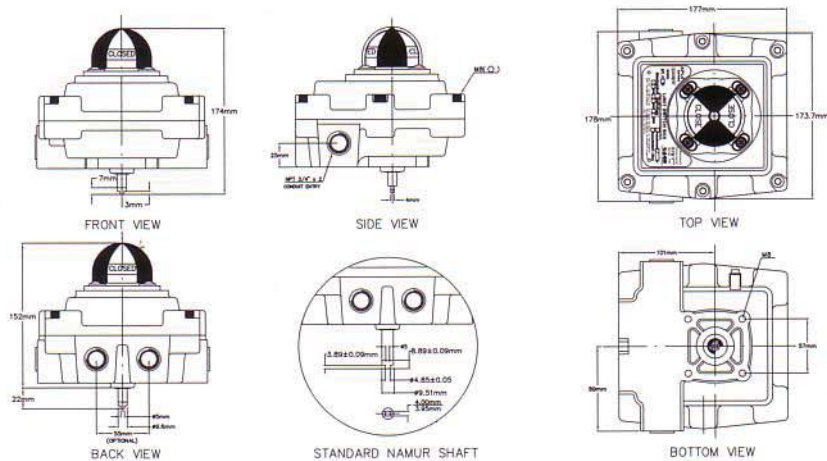


DIMENSION

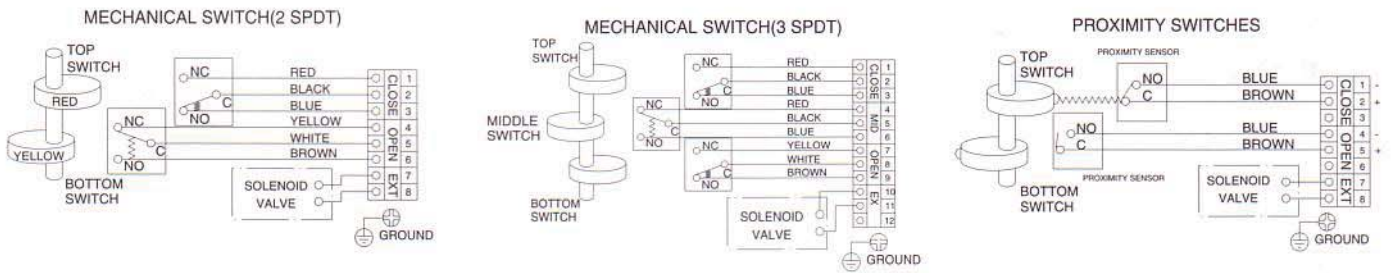
APL3N Series



APL4N Series



Electrical Connection



Mounting Bracket

Shape				
Size	30 × 80 H:20~30 30 × 130 H:30~50	30 × 80 H:20 30 × 80(130) H:30	30 × 80 H:20 30 × 80 H:30	30 × 130 H:30 30 × 130 H:50
Model	MB-P-L-1C MB-P-L-1S MB-P-L-2C MB-P-L-2S	MBP-001 MBP-002	MB-P-O-1C MB-P-O-1S MB-P-O-2C MB-P-O-2S	MB-P-O-3C MB-P-O-3S MB-P-O-4C MB-P-O-4S

- Last alphabet in model, **C** means plate steel, **S** means stainless steel
- MBP-001/002 are plastic material

Ordering Information

APL - 3 10 N

Enclosure

- 3. Weather proof
- 4. Explosion proof(Exd IIB T6)

Switch type

**Bolt on
Position Indicator**

Mechanical switch	Proximity Sensor	Reed type Proximity Sensor
10 2-SPDT	20 P & F NJ2-V3-N	30 General type
11 3-SPDT	21 Autonics. PS17-5DNU	31 High temp (Up to + 100°C)
12 4-SPDT	22 P & F NJ4-12GM-N	
13 2-SPST	23 NBB2- V3	
14 2-DPDT		
15 2-SPDT + Potentiometer		
16 2-SPDT + Signal unit (4-20mA)		