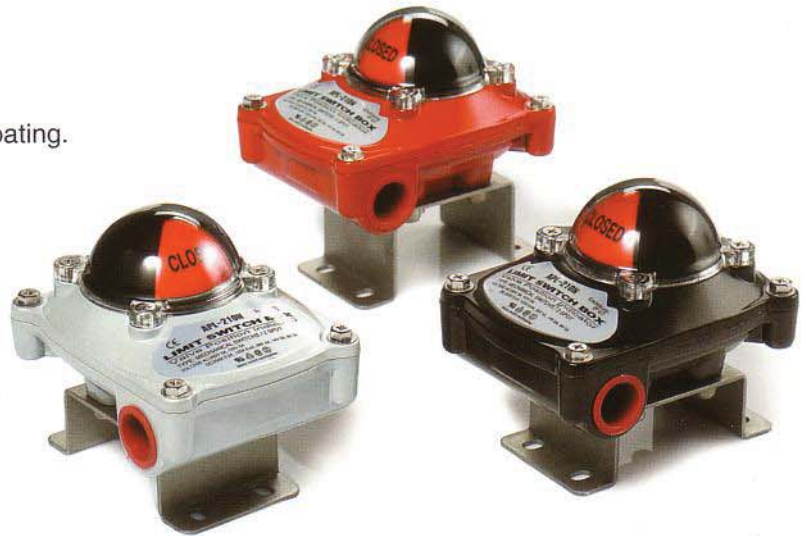




Valve Position Monitor APL Series

APL-2N SERIES

- **Solid and compact design**
Aluminium die-casting housing and powder coating.
- **Bolts on visual position indicator**
- **Quick-set cam**
Spring loaded splined cam.
No need to adjust again after initial setting.
Easy setting without tool.
- **Dual cable entries**
2 x 1/2 NPT(Standard)
M20, PG13.5, PF1/2", PT1/2".(Option)
- **Captive cover bolts**
No worry to loose bolts while cover open.
- **Easy mounting bracket**
NAMUR standard stainless steel shaft and bracket.



SPECIFICATION	STANDARD	OPTION	MATERIAL	
Enclosure	Weatheproof IP67/NEMA4 & 4X	IP 68	Housing cover&body	Aluminium die-casting
Ambient temperature	-20°C~80°C		Shaft	Stainless steel
Cable entries	2 x NPT1/2"	PF1/2", PT1/2" M20, PG13.5	Indicator cover	Polycarbonate
Terminal Strips	8 points (0.08~2.5mm)		Indicator	ABS/Polycarbonate
Position indicator	Closed:red Open:yellow	Closed:red Open:green	Cam	Polycarbonate
Switches	Mechanical switch x 2 Proximity sensor x 2		Spring	Stainless steel
External coating	Polyester powder coating(black)	red, green,blue, yellow,silver color Nylon coated	Housing cover bolt	Stainless steel
Shaft	Standard shaft(17mm)	Long shaft	O-ring	NBR
			Bushing	Bronze
			E-ring(shaft)	Stainless steel
			Earth lug	Stainless steel
			Bracket	Stainless steel

Position indicator



Re-adjustment available upon required direction

Shaft position

- 90° Closed or Open for rotary application
- 90° Open or Closed for rotary application
- 45° Closed or Open for rotary application

Cable entries

Cable entry due to length and thickness

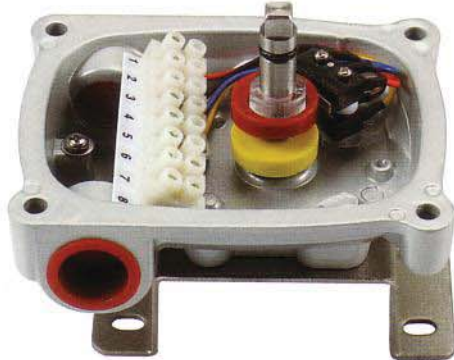



Captive cover bolts

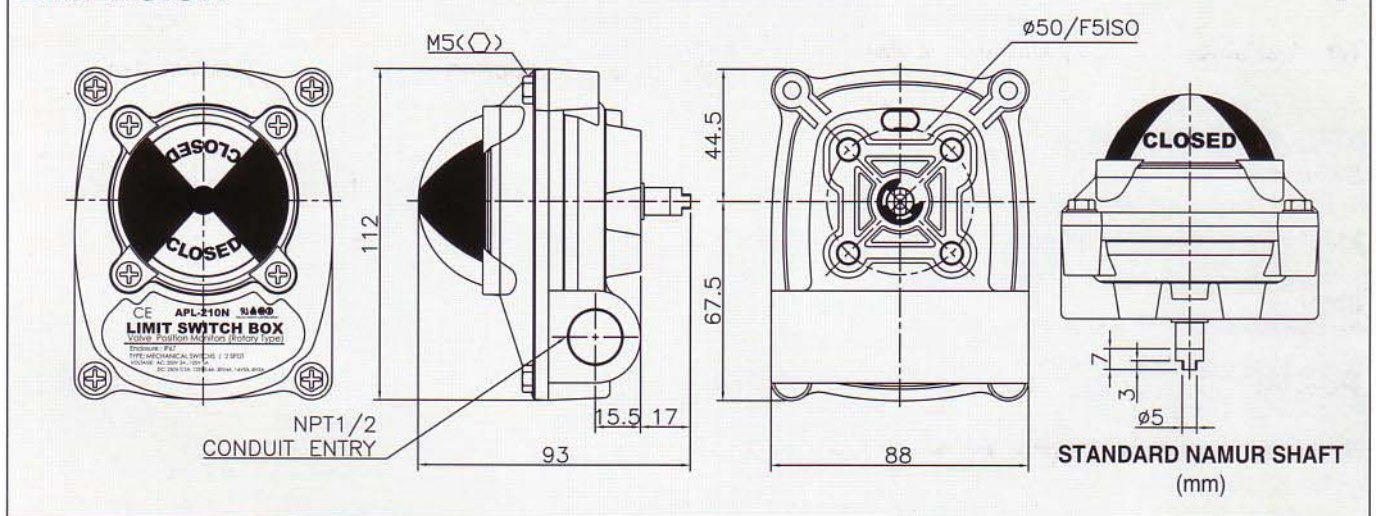
Specially designed to prevent losing cover bolts during maintenance or installation.



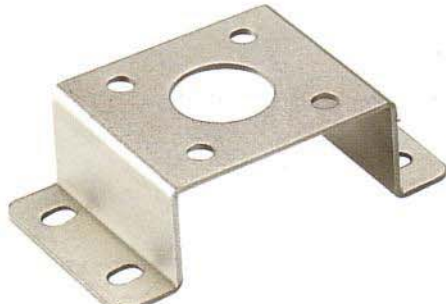
SPECIFICATION

APL - 210	APL - 220
 <p>Standard switch : SS5GL(Omron) 2SPDT switches (option : spst-nc, spst-no) Contact arrangement: 250V AC/3A, 125V AC/5A 250VDC/0.2A, 125VDC/0.4A, 30VDC/4A</p> <p>Optional switch : SS10GL(Omron) 2SPDT switches (option : spst-nc, spst-no) Contact arrangement: 250V AC/10.1A, 125V AC/10.1A 250VDC/0.2A, 125VDC/0.4A, 30VDC/4A</p> <p>Approved standards : UL, CSA, SEMKO, SEV EN61058-1</p>	 <p>Standard sensor : NJ2-V3-N (P&F) Inductive proximity sensor (intrinsically safe) Voltage range: 8V DC (IP67 to IEC 60529) Operating distance : 2mm</p> <p>Optional sensor EMC to EN60947-5-2 NBB2-V3-E2/E3(PNP) : 10 - 30V DC Operating distance : 2mm NBB2-V3-E0 (NPN) : 10 - 30V DC Operating distance : 2mm NBB3-V3-Z4/Z5 : 5 - 60V DC Operating distance : 3mm</p>

DIMENSION



BRACKET NAMUR STANDARD

	<table border="1"> <thead> <tr> <th>Model No</th> <th>Material</th> </tr> </thead> <tbody> <tr> <td>MBP-050</td> <td>Stainless steel</td> </tr> <tr> <td>MBP-100</td> <td>Stainless steel</td> </tr> <tr> <td>MBP-200</td> <td>Stainless steel</td> </tr> <tr> <td>MBP-300</td> <td>Stainless steel</td> </tr> <tr> <td>MBP-400</td> <td>Stainless steel</td> </tr> </tbody> </table>	Model No	Material	MBP-050	Stainless steel	MBP-100	Stainless steel	MBP-200	Stainless steel	MBP-300	Stainless steel	MBP-400	Stainless steel	<table border="1"> <thead> <tr> <th>Application</th> </tr> </thead> <tbody> <tr> <td>25 x 50 h20</td> </tr> <tr> <td>30 x 80 h20</td> </tr> <tr> <td>30 x 80 h30</td> </tr> <tr> <td>30 x 130 h30</td> </tr> <tr> <td>30 x 130 h50</td> </tr> </tbody> </table>	Application	25 x 50 h20	30 x 80 h20	30 x 80 h30	30 x 130 h30	30 x 130 h50
Model No	Material																			
MBP-050	Stainless steel																			
MBP-100	Stainless steel																			
MBP-200	Stainless steel																			
MBP-300	Stainless steel																			
MBP-400	Stainless steel																			
Application																				
25 x 50 h20																				
30 x 80 h20																				
30 x 80 h30																				
30 x 130 h30																				
30 x 130 h50																				